

DRAWING LEGEND

NOTES:

DRAWING SYMBOLS AND LAYOUT ADHERE TO NEC AND NFPA79 STANDARDS.


CUSTOMER CONNECTIONS ARE SHOWN AS DASHED LINES.

CONTACT COIL CROSS REFERENCE IS INDICATED AS SHEET NUMBER AND SHEET COORDINATE INCLUDED WITH EACH COIL REFERENCE.

N.C. CONTACTS SHOWN AS UNDERLINED.

TIMED CONTACT SHOWN WITH '^'.

ISS	DATE	APPROVED
A		
B		
C		
D		
E		

 <p>40 Log Canoe Circle, Stevensville, MD 21666 phone (410) 604-3400 fax: (410) 604-3500 email: info@bardac.com</p>	SHT. TITLE	SUPPLY DISTRIBUTION	CUST.	CUSTOMER NAME	DRN.	ENGR 99 JAN 99	DWG. NO.	HF__
	DWG. TYPE	DRIVE ENCLOSURE/PANEL CIRCUIT DIAGRAM	DIST.	DISTRIBUTOR	DESIGN	ENGR 99 JAN 99	DWG. ISS.	
	JOB TITLE	PLXLOWHP MODULUS SYSTEM	P.O.	999999	SCALE	DO NOT SCALE	JOB NO.	8__
	LOCATION		SITE, STATE, ZIP, PHONE		SIZE	A	SHT.	1 OF 3

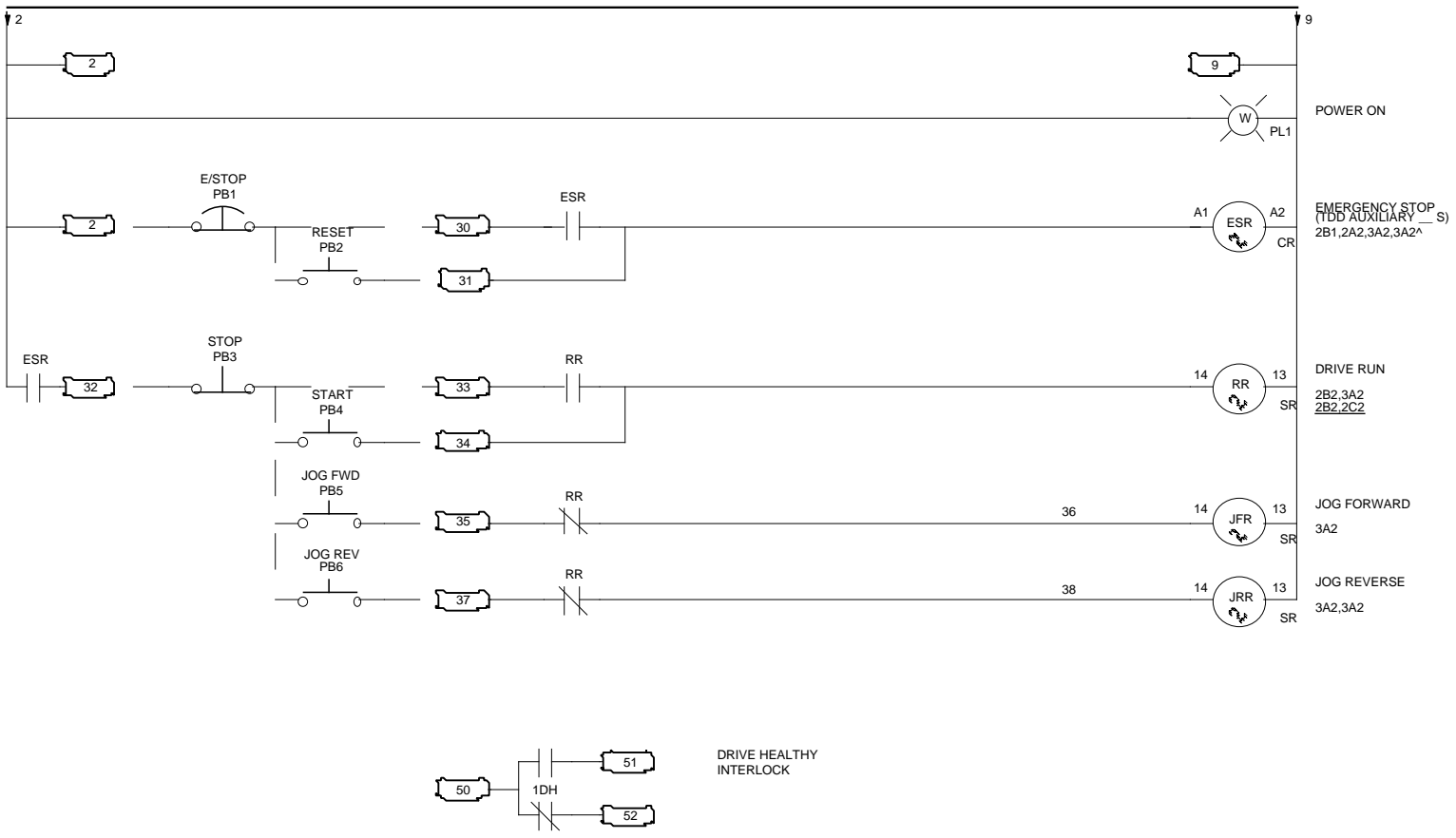
1

2

3

4

120VAC
CONTROL
SHT. 1



A

B

C

D

Bardac

40 Log Canoe Circle, Stevensville, MD 21666
phone (410) 604-3400 fax: (410) 604-3500
email: info@bardac.com

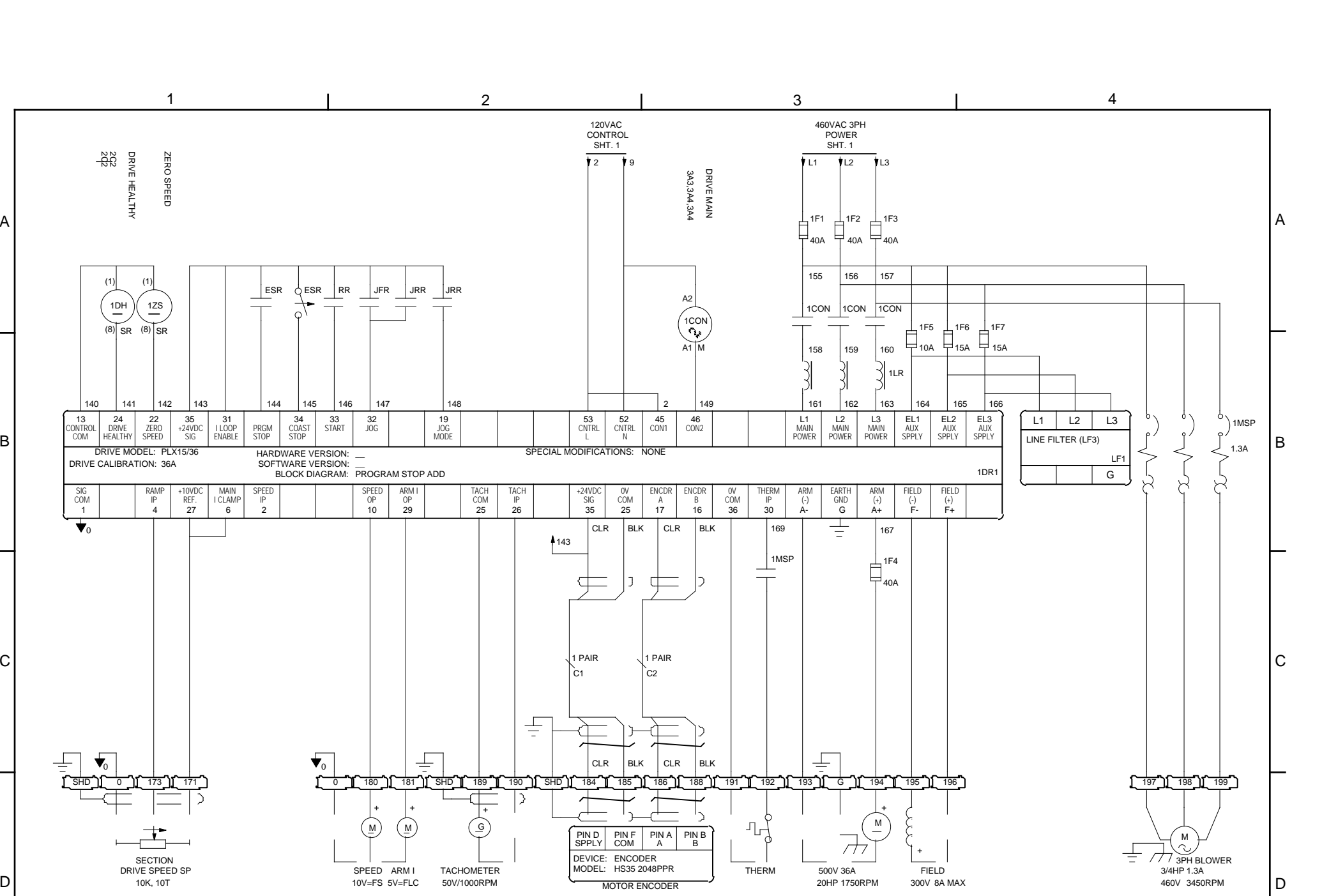
SHT. TITLE	120VAC LADDER LOGIC	CUST.	CUSTOMER NAME	DRN.	ENGR 99 JAN 99	DWG. NO.	HF__
DWG. TYPE	DRIVE ENCLOSURE/PANEL CIRCUIT DIAGRAM	DIST.	DISTRIBUTOR	DESIGN	ENGR 99 JAN 99	DWG. ISS.	
JOB TITLE	PLXLOWHP MODULUS SYSTEM	P.O.	999999	SCALE	DO NOT SCALE	JOB NO.	8__
LOCATION			SITE, STATE, ZIP, PHONE	SIZE	A	SHT.	2 OF 3

1

2

3

4



13	24	22	35	31	34	33	32	19	53	52	45	46	L1	L2	L3	EL1	EL2	EL3	
CONTROL COM	DRIVE HEALTHY	ZERO SPEED	+24VDC SIG	I LOOP ENABLE	PRGM STOP	COAST STOP	START	JOG	CNTRL L	CNTRL N	CON1	CON2	MAIN POWER	MAIN POWER	MAIN POWER	AUX SUPPLY	AUX SUPPLY	AUX SUPPLY	
DRIVE MODEL: PLX15/36										HARDWARE VERSION: _				SPECIAL MODIFICATIONS: NONE					
DRIVE CALIBRATION: 36A										SOFTWARE VERSION: _				BLOCK DIAGRAM: PROGRAM STOP ADD					
SIG COM	RAMP IP	+10VDC REF.	MAIN I CLAMP	SPEED IP	SPEED OP	ARM I OP	TACH COM	TACH IP	+24VDC SIG	OV COM	ENCDR A	ENCDR B	OV COM	THERM IP	ARM (-)	EARTH GND	ARM (+)	FIELD (-)	FIELD (+)
1	4	27	6	2	10	29	25	26	35	25	17	16	36	30	A-	G	A+	F-	F+

Bardac
 40 Log Canoe Circle, Stevensville, MD 21666
 phone (410) 604-3400 fax: (410) 604-3500
 email: info@bardac.com

SHT. TITLE	__ DRIVE SECTION	CUST.	CUSTOMER NAME	DRN.	ENGR 99 JAN 99	DWG. NO.	HF__
DWG. TYPE	DRIVE ENCLOSURE/PANEL CIRCUIT DIAGRAM	DIST.	DISTRIBUTOR	DESIGN	ENGR 99 JAN 99	DWG. ISS.	
JOB TITLE	PLXLOWHP MODULUS SYSTEM	P.O.	999999	SCALE	DO NOT SCALE	JOB NO.	8__
LOCATION		SITE, STATE, ZIP, PHONE		SIZE	A	SHT.	3 OF 3