

DPM35S & DPM35SD

Instruction manual

Copyright Bardac Corporation 2004
Except for the purpose of supporting products sold by
Bardac Drives, reproduction of all or any part of these
documents is strictly prohibited.

Bardac 
drives

Instruction manual

DPM 35S, DPM35SD

The DPM is a complex component only for professional assemblers. The unit is CE marked according to LVD 73/23/EEC amended 93/68/EEC. Follow these installation guidelines for EMC compatibility. Further measures may be necessary. Installers must have a level of technical competence to correctly install. The EMC behaviour is the responsibility of the manufacturer of the system or installation using this component.

DPM 35S

DISPLAY RANGE ± 1999

DPM 35SD

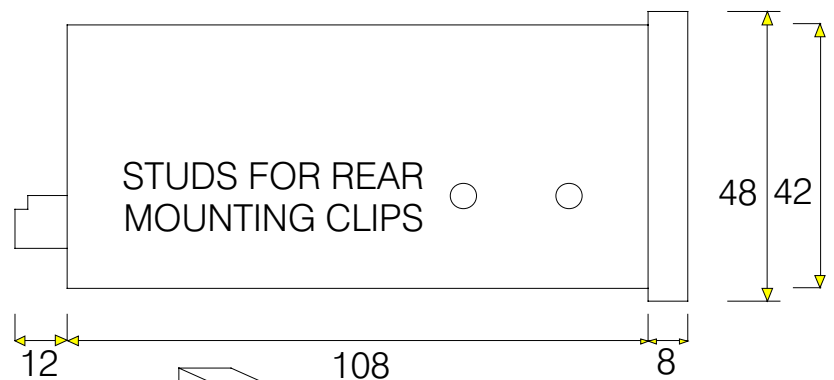
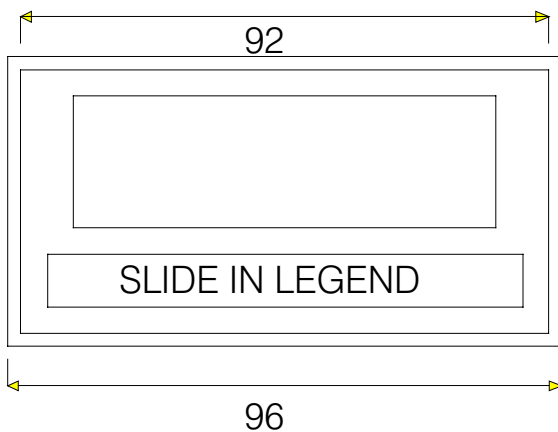
The 35SD unit counts in tens

DISPLAY RANGE ± 19990

Apart from the display range the two models have the same specification

- DIN 43700 CASE
- PLUG ON SCREW TERMINALS
- SLIDE IN LEGEND
- FULL RANGE SCALING
- OFFSET CONTROL
- DECIMAL POINT SELECTABLE
- $\pm 5V$ TO $\pm 400V$ INPUT RANGE

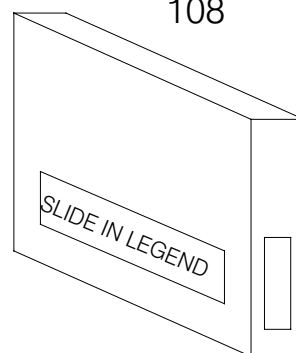
- 4-20mA LOOP INPUT
- RATIOMETRIC INPUT
- AUTOMATIC POLARITY SENSING
- UNIVERSAL AC SUPPLY INPUTS
- TRAILING DIGIT BLANKING
- DISPLAY HOLD INPUT
- OVERANGE INDICATION



TIP. MAKE LEGEND TAPE LONGER THAN FACIA FOR EASE OF CENTREING

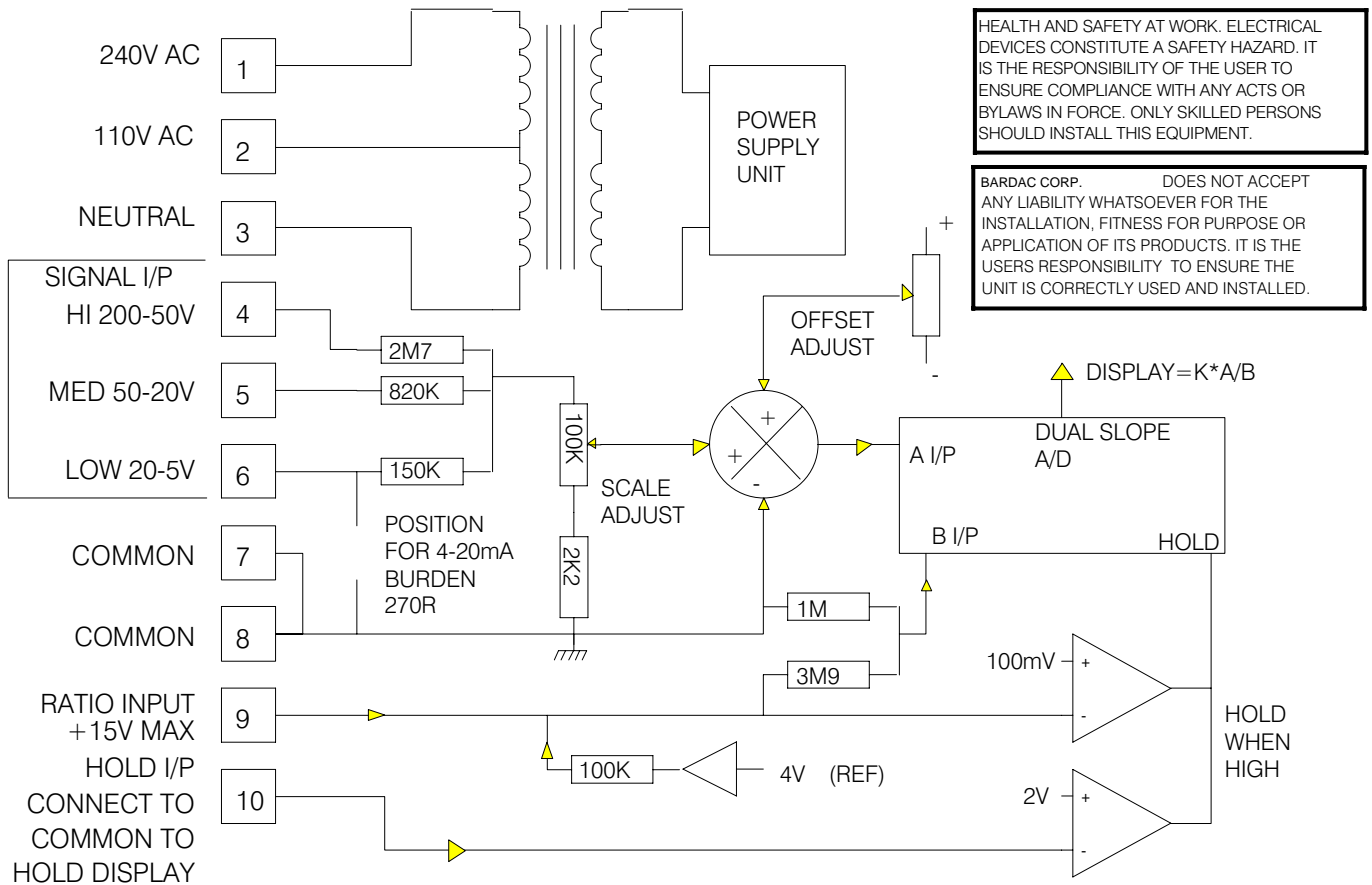
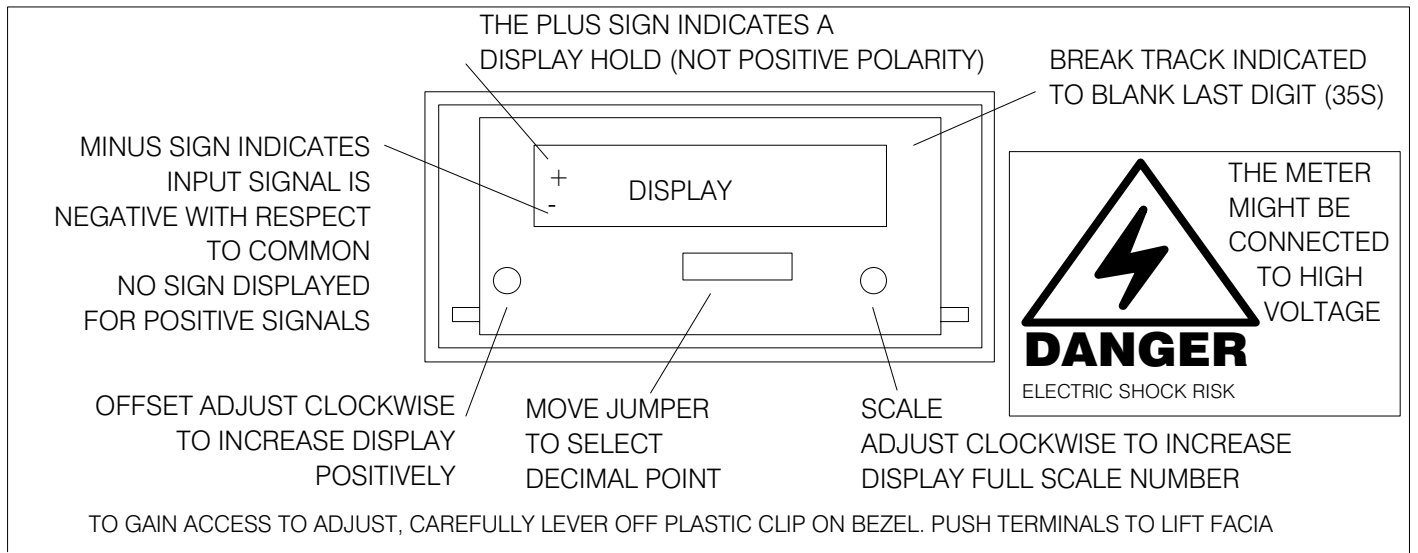
LEGEND TAPE DIMENSIONS

- MAXIMUM THICKNESS 0.3mm (0.012")
- MAXIMUM WIDTH 13mm
- TEXT WINDOW 80mm BY 8mm



SLOT IN FACIA FOR SLIDE IN LEGEND TAPE

ACCURACY	$\pm 0.05\%$	RESPONSE	1 SEC. to 0.1%
LINEARITY	0.05%	CONV. TIME	400ms
TEMPCOEFF	10ppm/C (0-40)	OFFSET RANGE	$\pm 20\%$ of F.S.
DISPLAY	14mm RED LED	SUPPLY	110/240 AC 3W
HOLD MODE	+ ILLUMINATED	TERMINALS	ACCEPT 1.5mm wire
RATIO MODE		WEIGHT	300gm
MULTIPLIER INPUT	TERMINAL 4, 5 OR 6	OVERANGE	35S +1 BLANK
DIVISOR INPUT	TERMINAL 9. 0 to +15V MAX		35SD +1 BLANK 0
AUTO HOLD IN RATIO MODE	BELOW 100mV	POLARITY IND.	NEGATIVE ONLY



Choose signal input terminal 4, 5 or 6 to suit full scale range. The scaling preset will then span between 10% and 100% of the display range. All signal inputs are referred to COMMON on terminals 7 and 8.

For 4-20mA signals remove rear cover and insert a 270 Ohm burden in position provided (R34). Adjust for zero display at 4mA with the offset preset.

Ratio mode. Display = A/B. B is entered via terminal 9, 0 to +15V max. Below 100mV the display holds (+). 'A' is entered via T4, T5 or T6. With 'A' disconnected set the display to zero using offset. With 'A' connected set the scale for the desired ratio display according to the signal voltages. Check the ratio for a range of inputs.

To change display polarity, swap the incoming pair of signal wires. To increase sensitivity for small signals connect a resistor between T9 and T8. Value = 100K for X 2 or 10K for X 10.

The unit inputs have built in filters. The display is non-multiplex to minimise radiated noise.



Bardac Corporation
40 Log Canoe Circle
Stevensville, MD 21666 USA
Phone: (410)604-3400 Fax: (410)604-3500
www.bardac.com

1994



WORLD CLASS IN DESIGN



WORLD BEATING IN FUNCTION

Bardac Corporation
40 Log Canoe Circle
Stevensville, MD 21666 USA
Phone: (410)604-3400 Fax: (410)604-3500
www.bardac.com